



STAR KNOBS FOR QUARTER-TURN LATCHES

Star knobs for quarter turn latches in two versions:

For standard insert

The star knob can be mounted afterwards and parts do not protrude during transportation. Supplied with screw and screw cover.

For cast-in insert

Cast-in classic insert can be mounted on classic quarter-turn housings which are available upon request.

MATERIAL

Cover plug: Glass fibre reinforced polyamide (PA6GF30)

Handle: Glass fibre reinforced polyamide (PA6GF30)

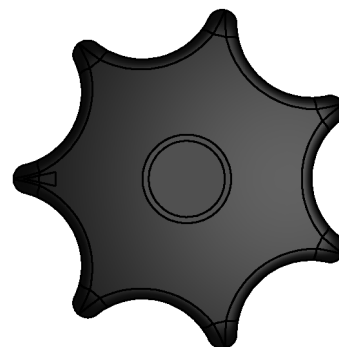
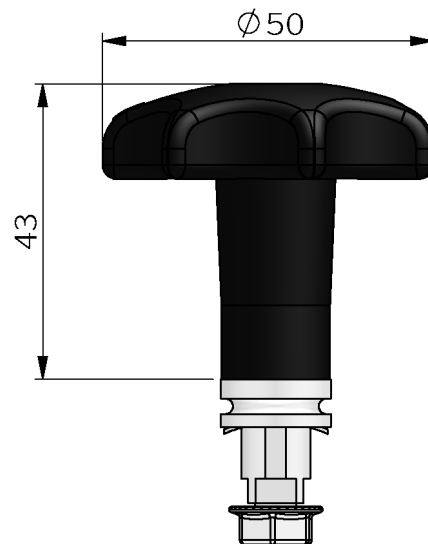
Insert: Zinc die cast, zinc plated

Screw: Steel, zinc plated or stainless steel 304

RELATED PRODUCTS

Quarter-turns: 2-060, 6-110, 6-115, 2-020, 2-040

Use the Index Code at industrilas.com



P/N	Description	For Housing	For insert
295070	Star knob for standard insert	-	Square 8 / M6
295070-RF	Star knob for standard insert stainless steel 304	-	Square 8 / M6 (SS 304)
295071	Star knob for standard insert	-	Triangle 10 / M6
295072	Star knob "Open - Close" for standard insert	-	Square 8 / M6
295073	Star knob "Open - Close" for standard insert	-	Triangle 10 / M6
295075	Star knob with cast-in insert	18 mm	-